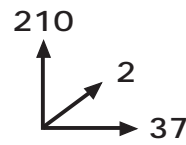
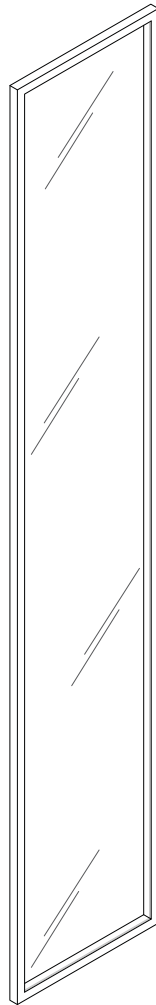
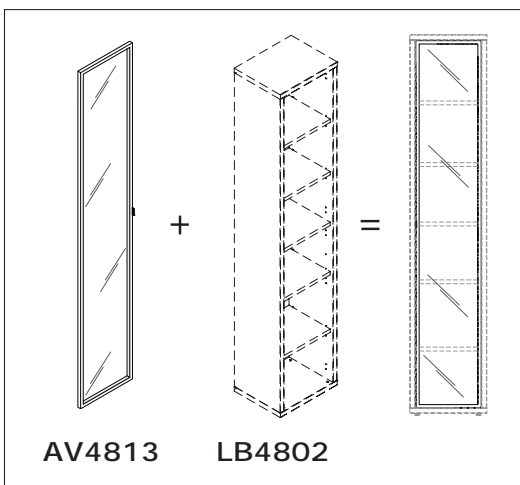


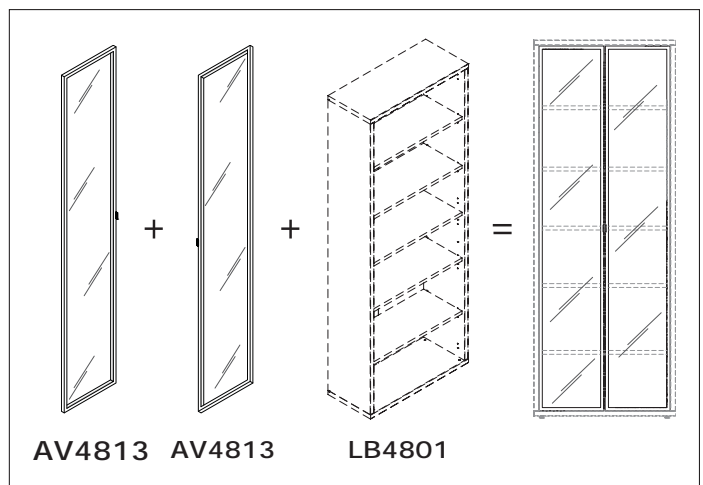
AV4813K28604

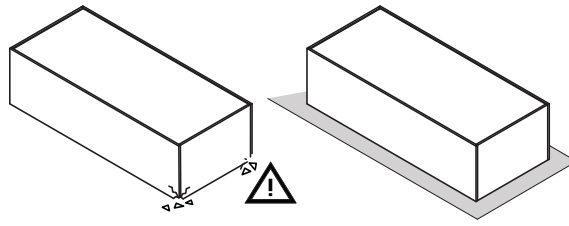
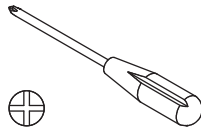
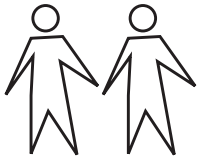


A

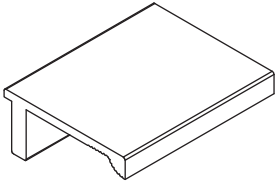


B





BU3640



M157
x1

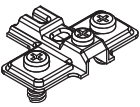


H113
x4

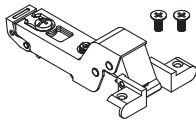


V158
x2

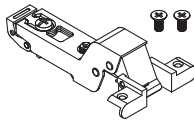
BU3095 x2



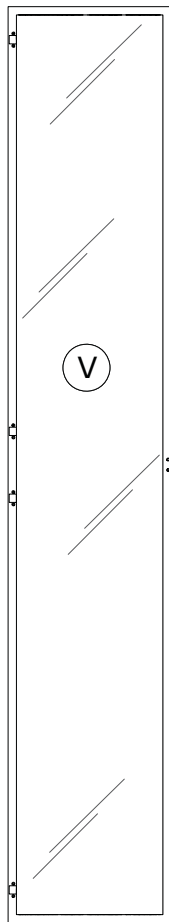
B34
x2



C72
x1

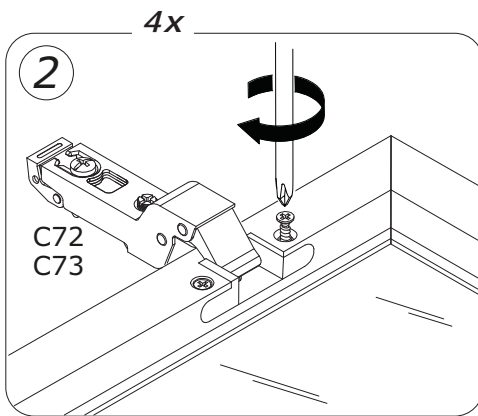
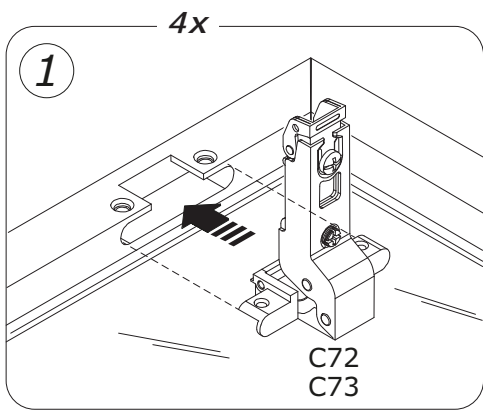
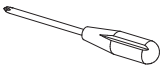


C73
x1

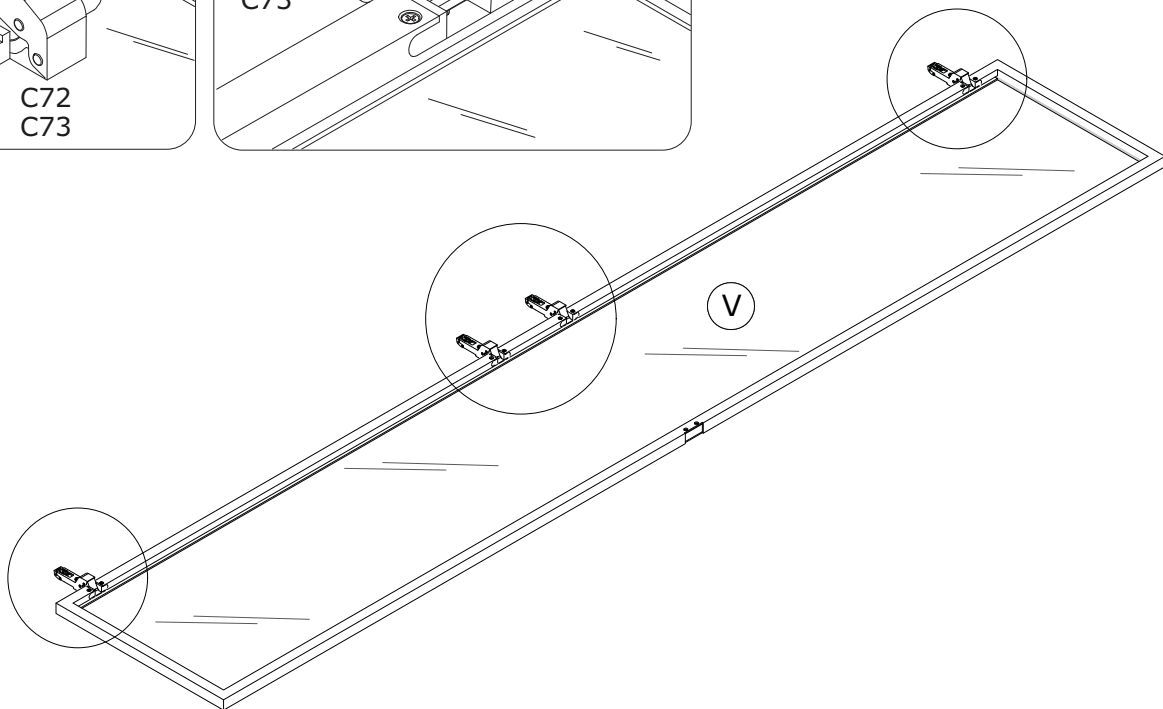


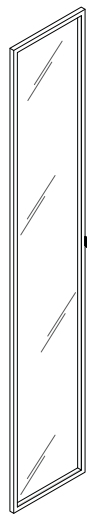
VT0141
2096x373x20mm

1



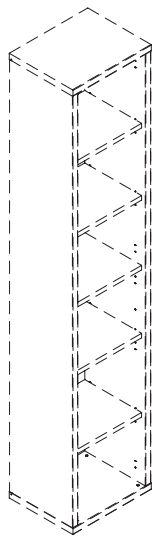
A B





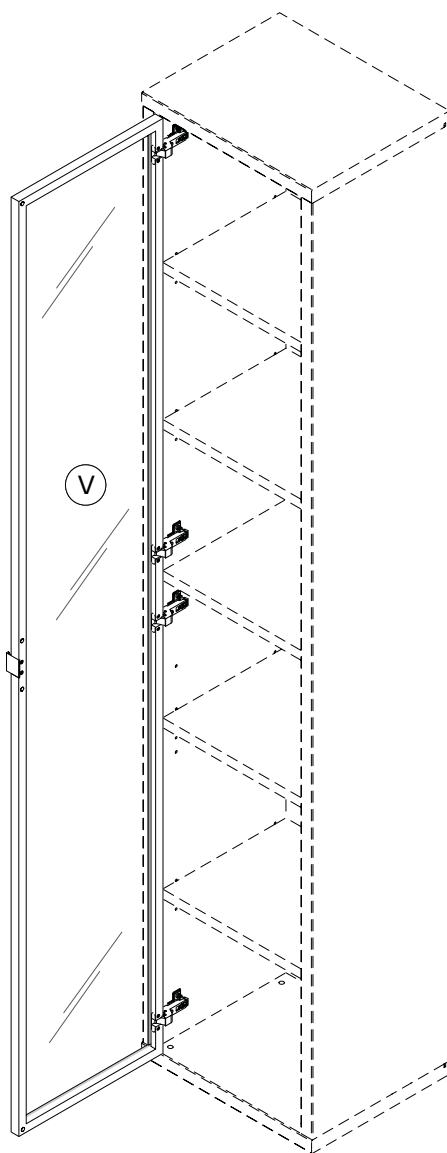
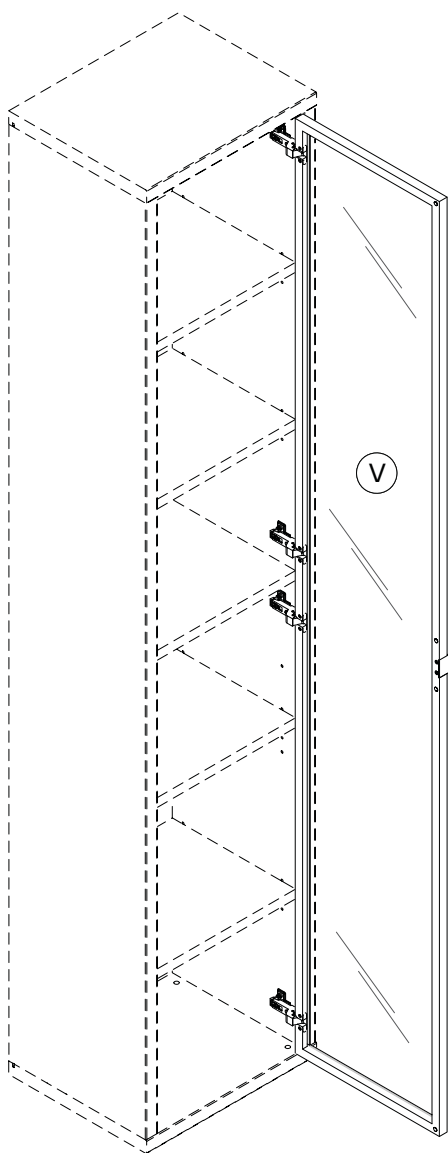
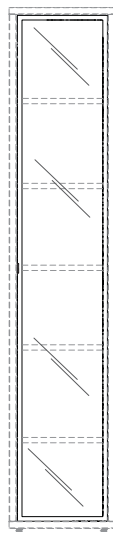
AV4813

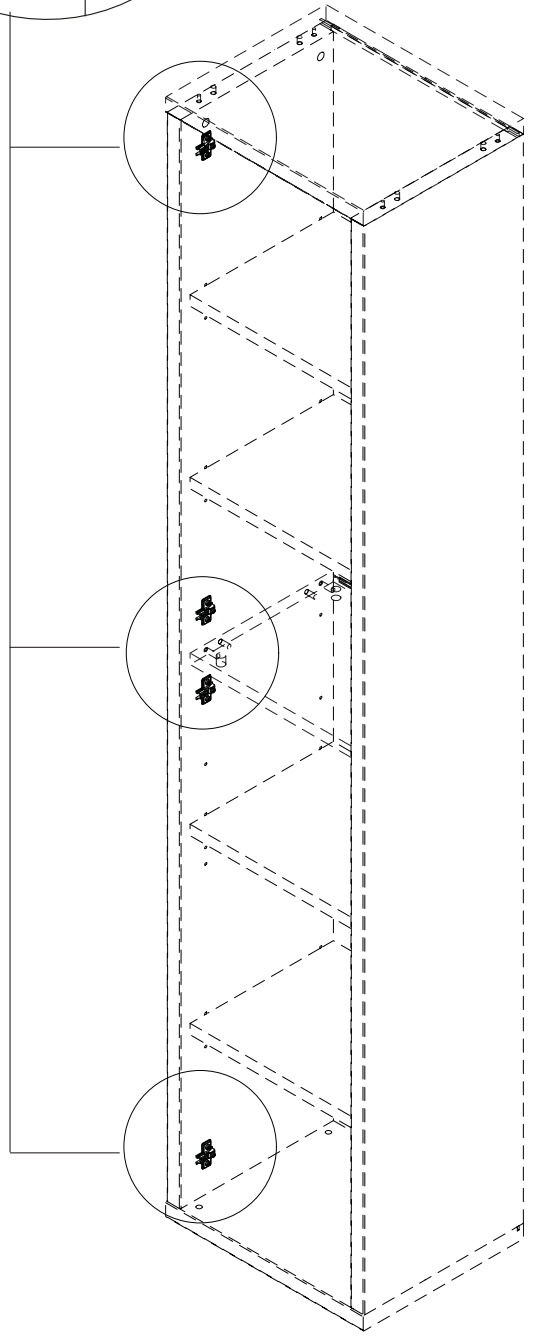
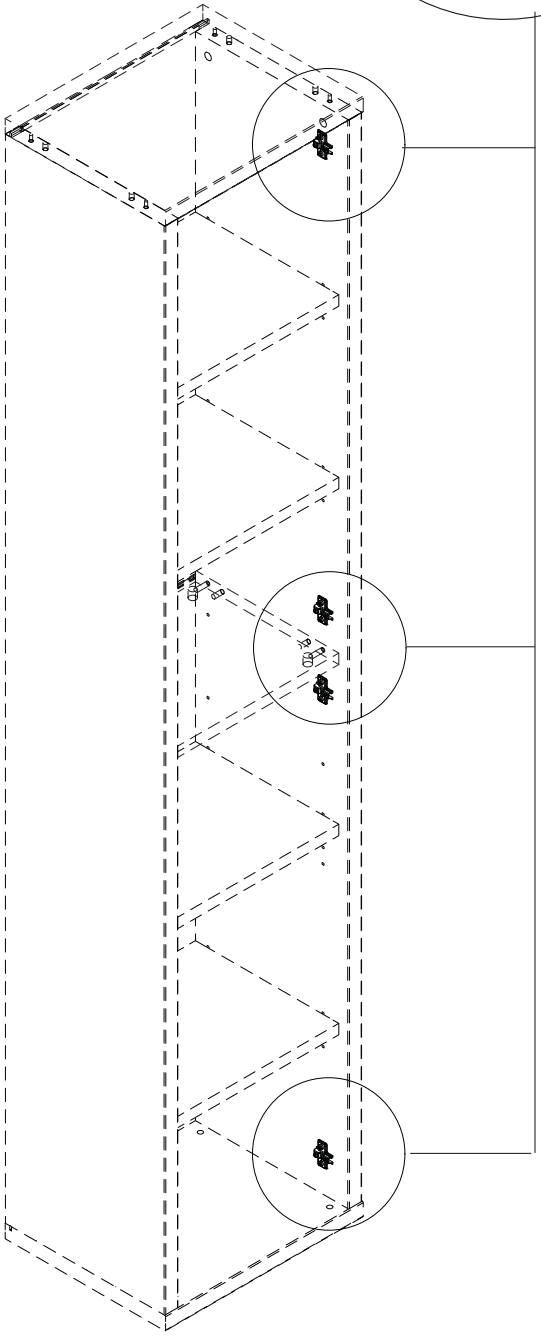
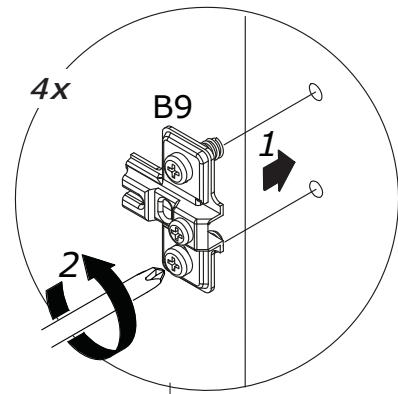
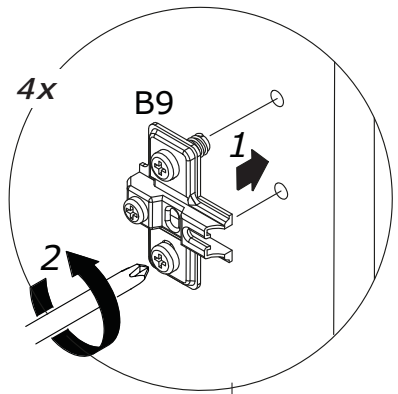
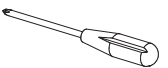
+



LB4802

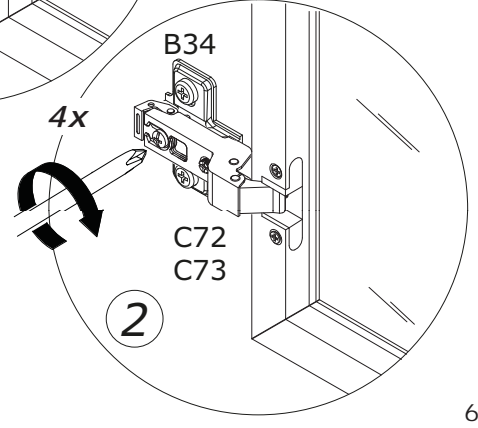
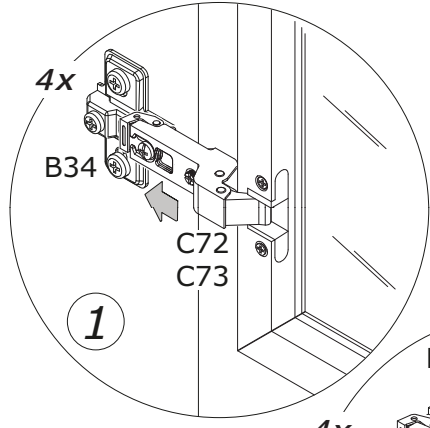
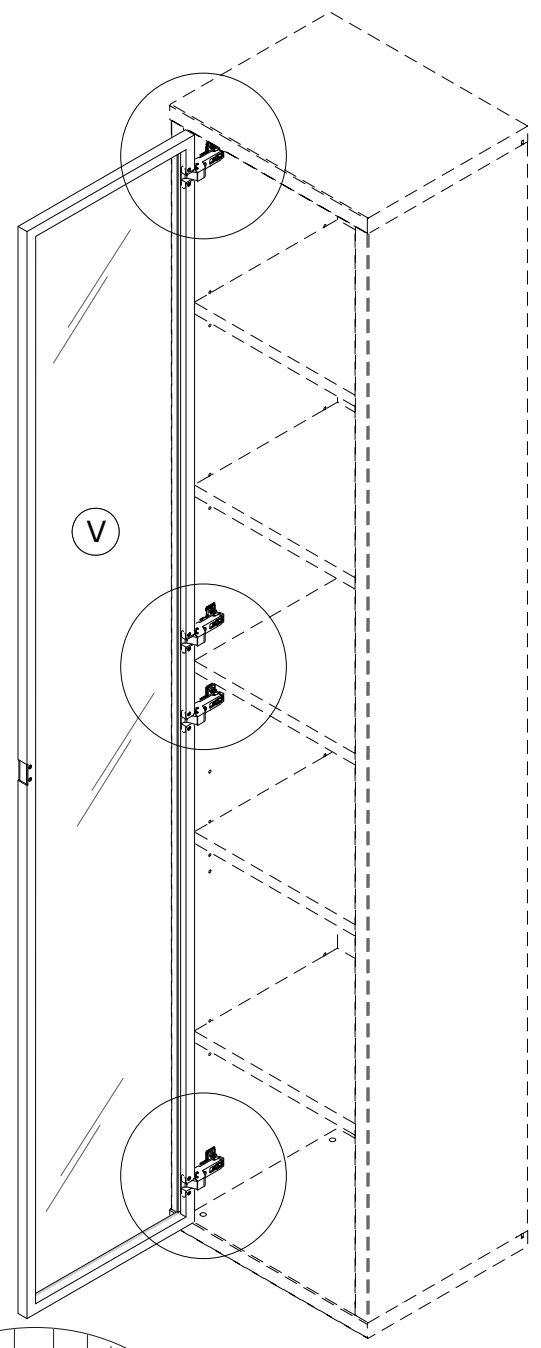
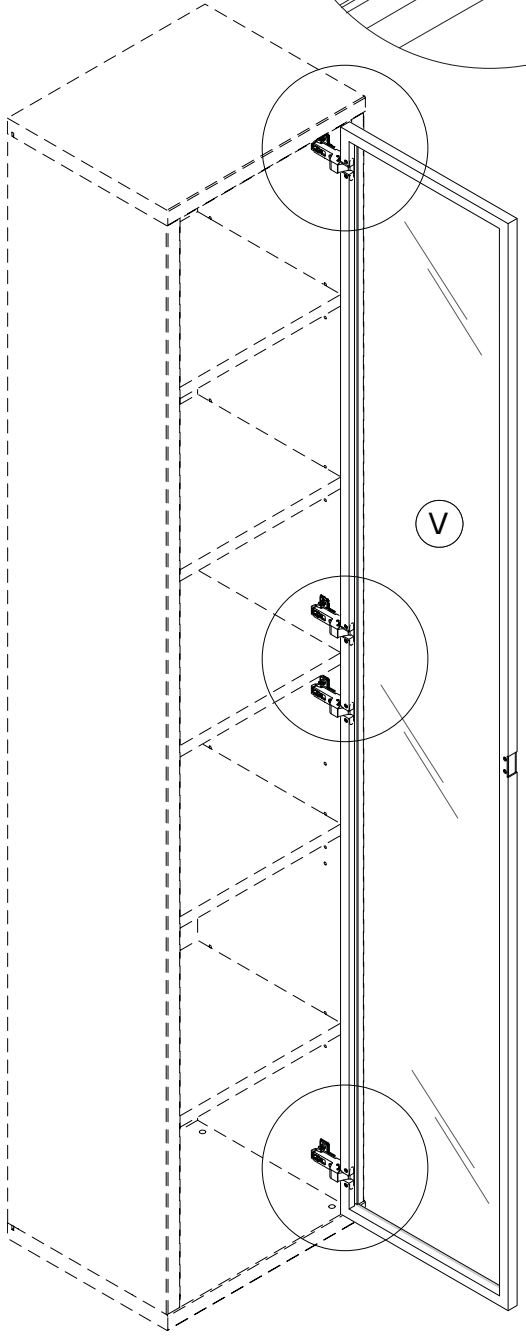
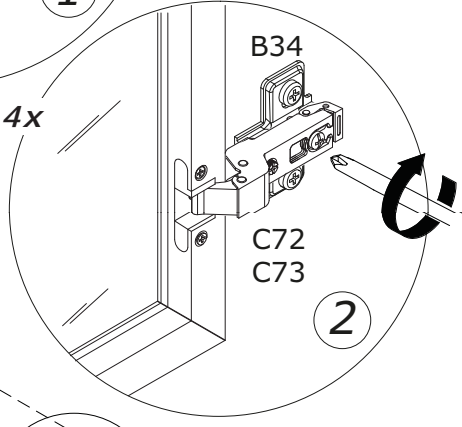
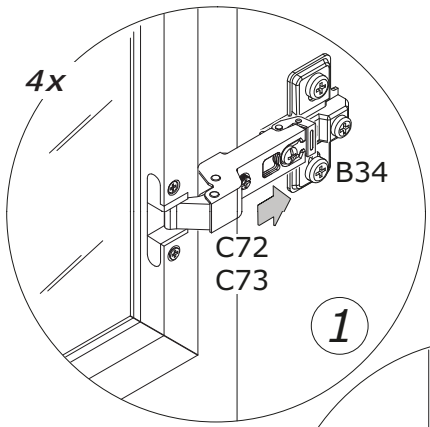
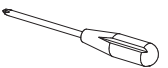
=



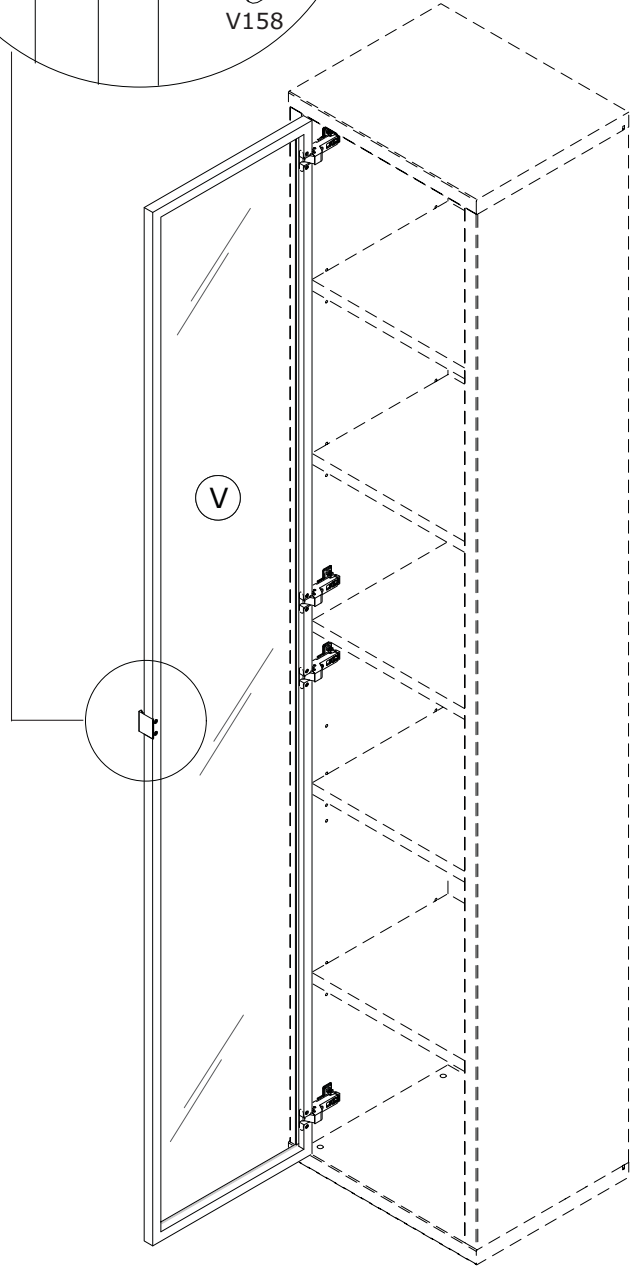
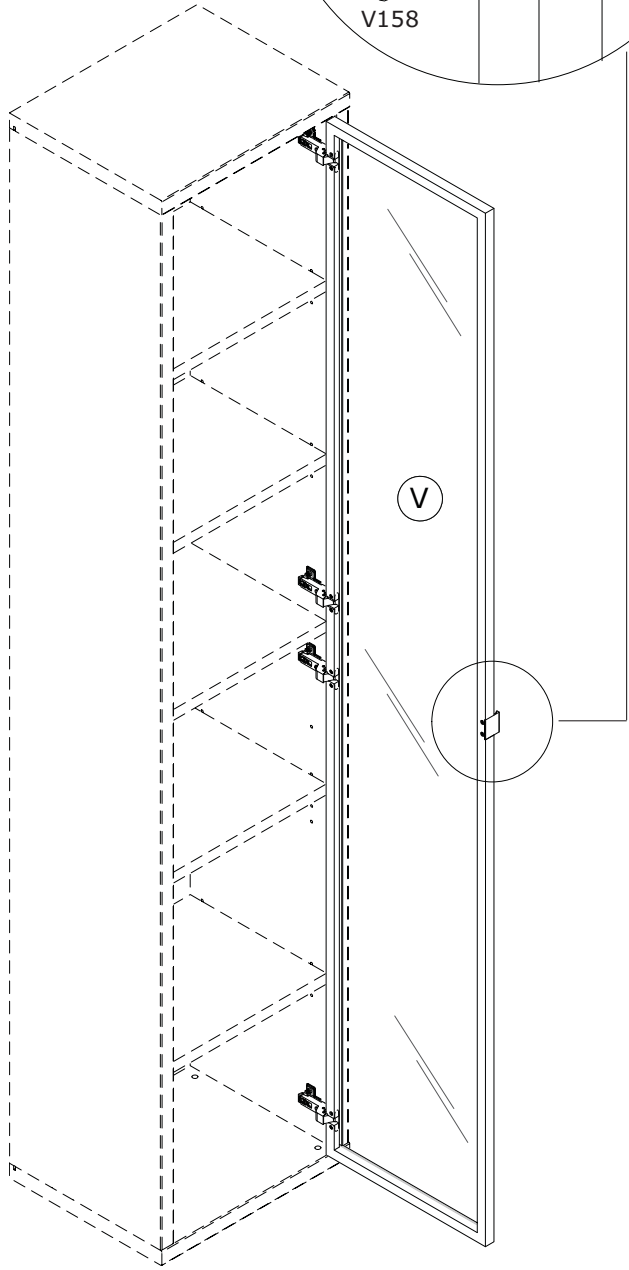
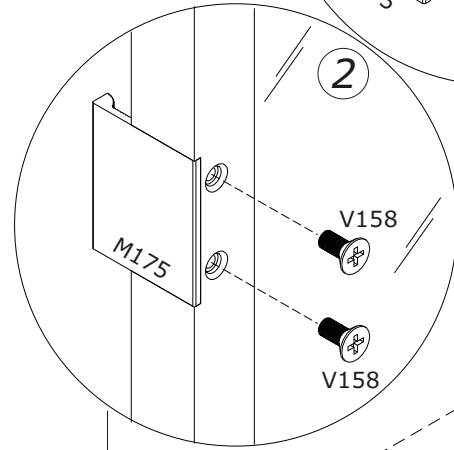
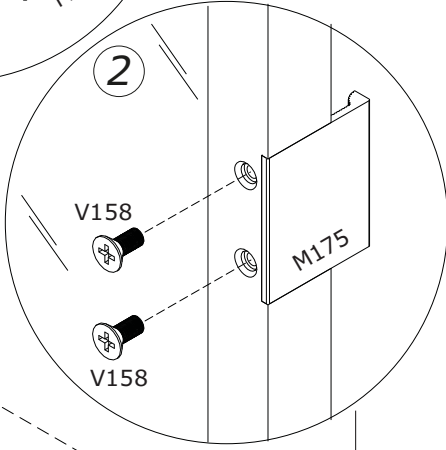
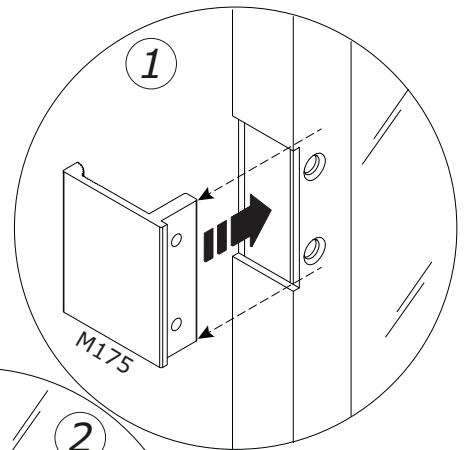
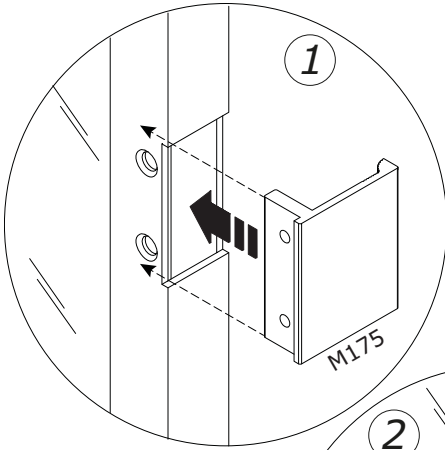
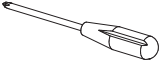


3

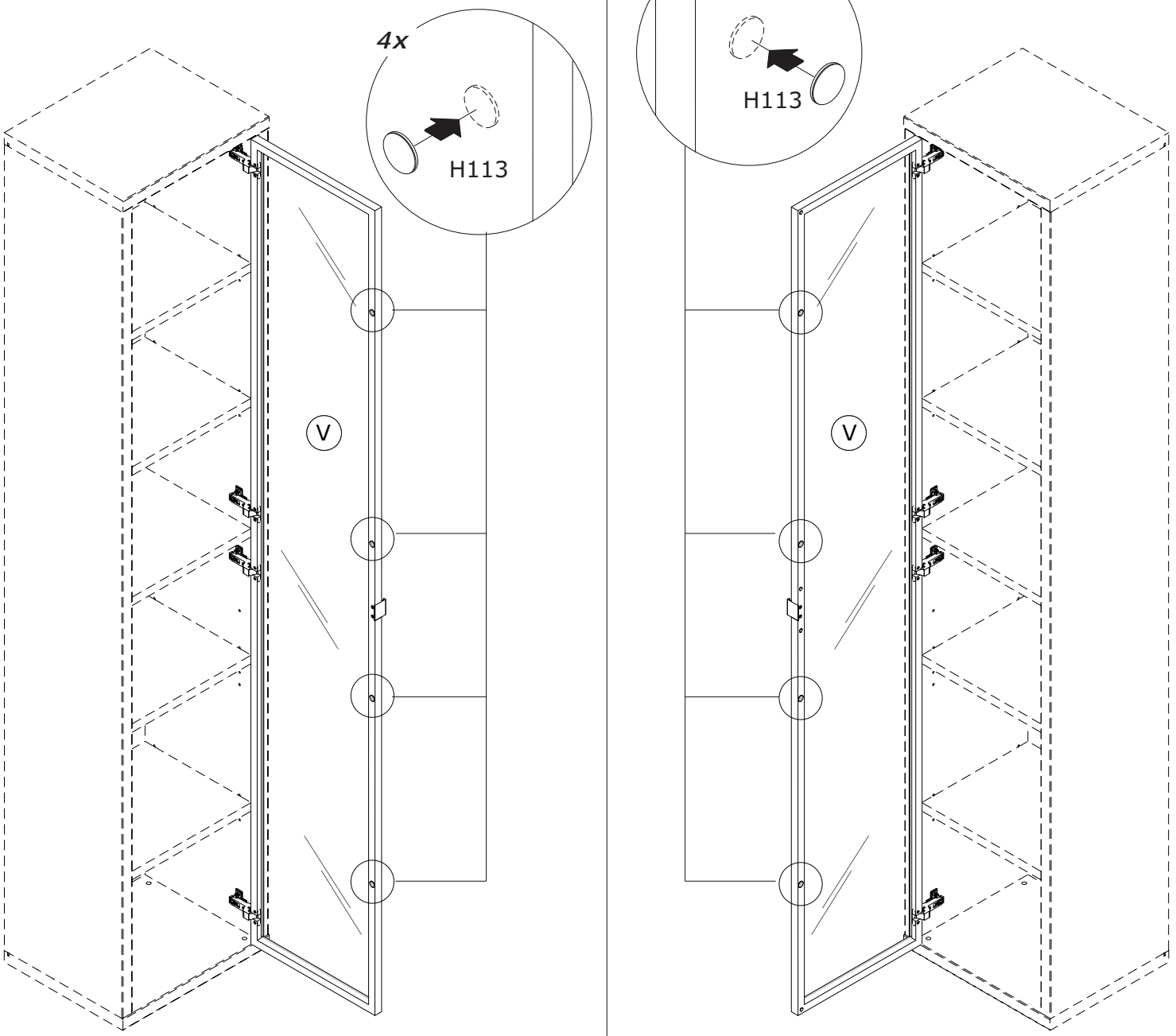
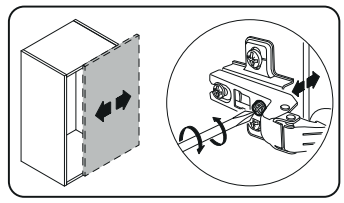
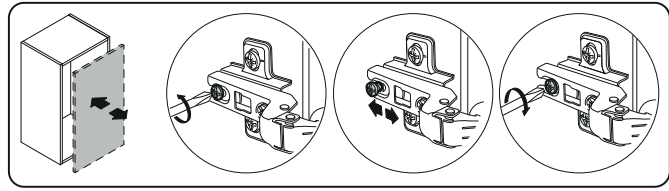
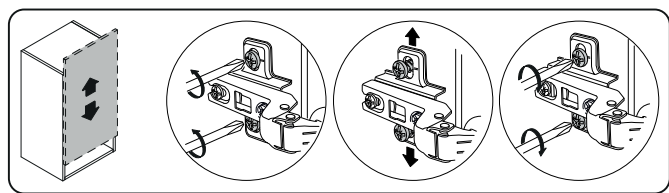
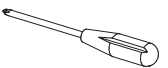
A

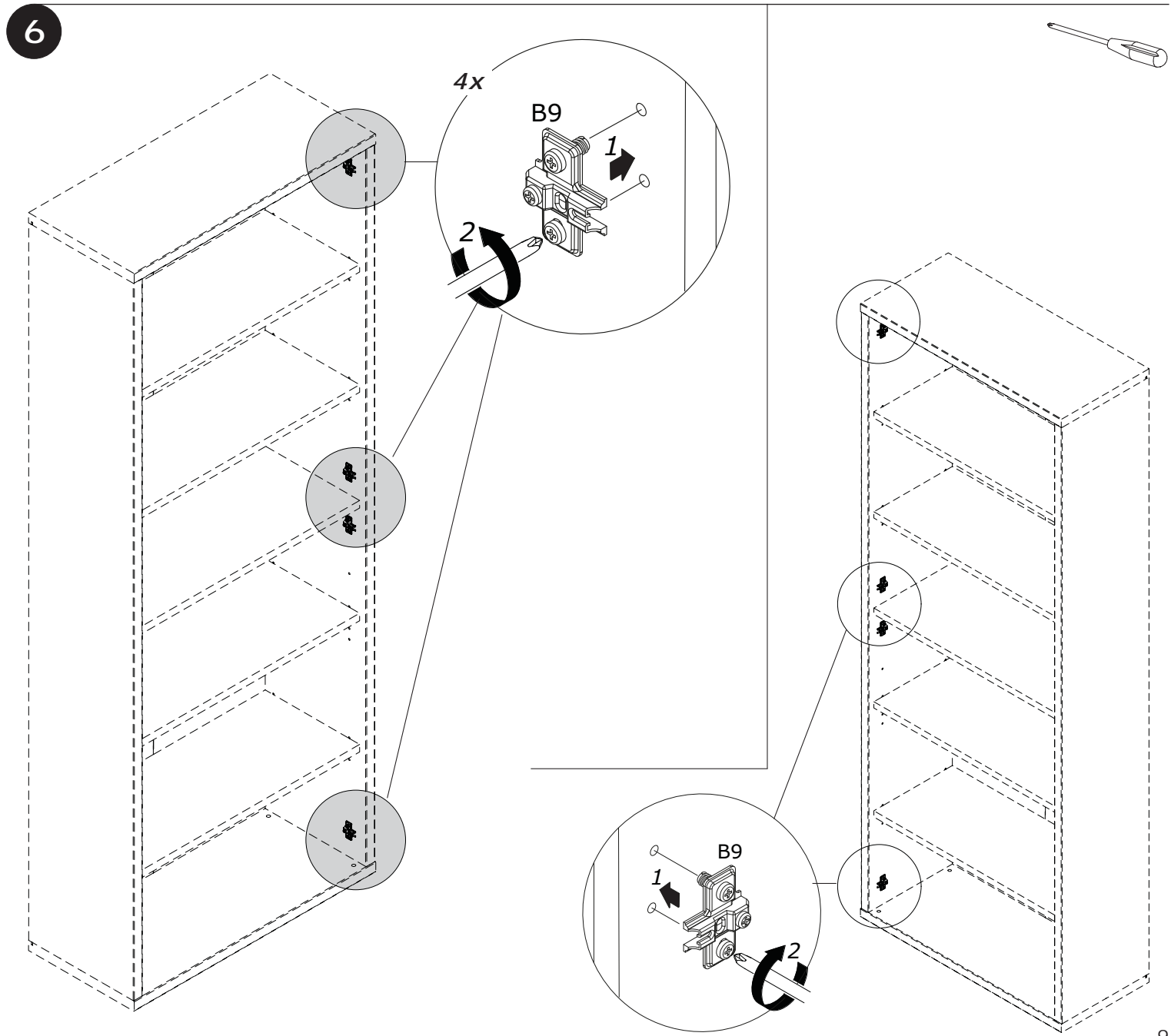
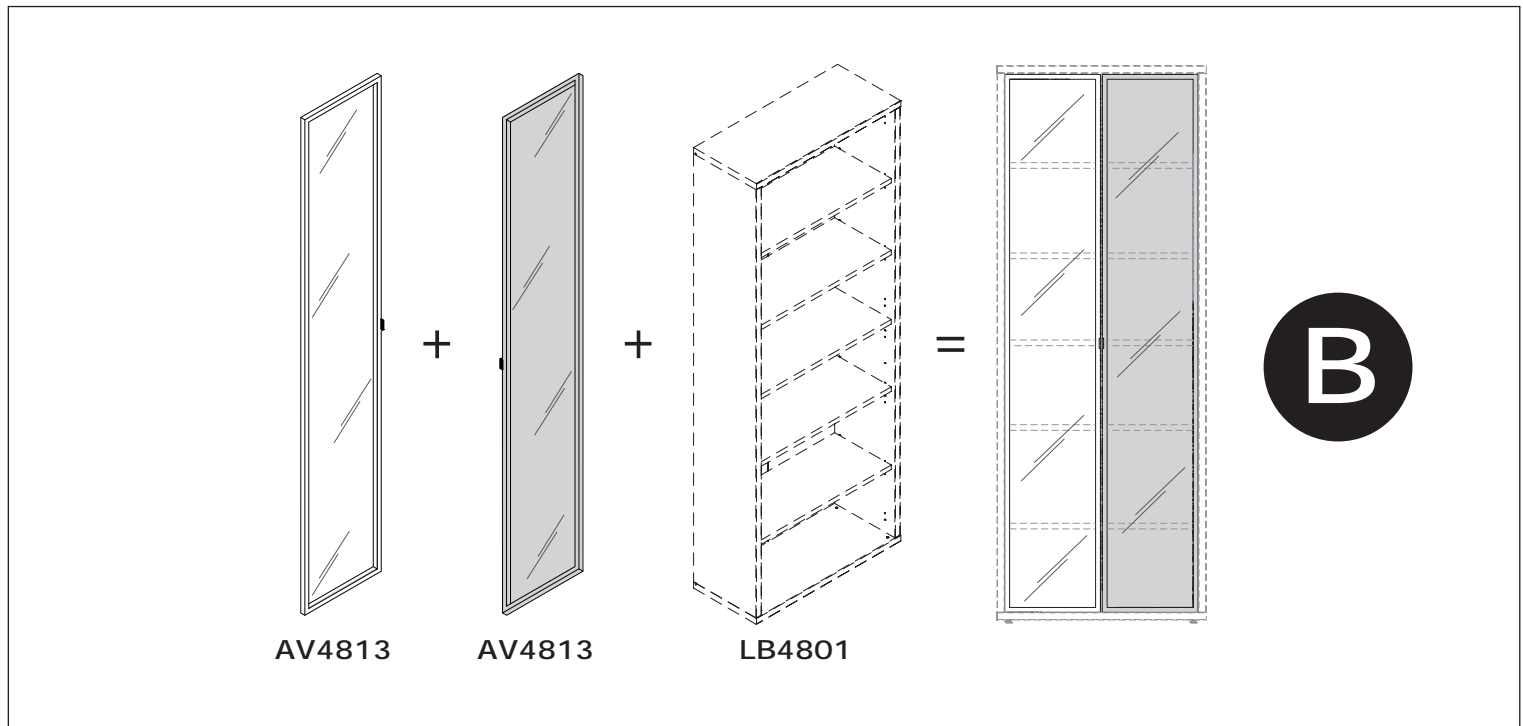


A

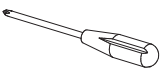


A

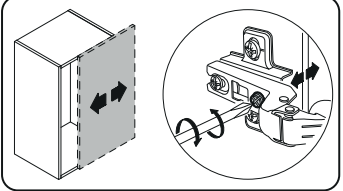
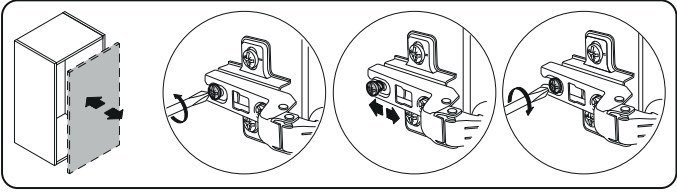
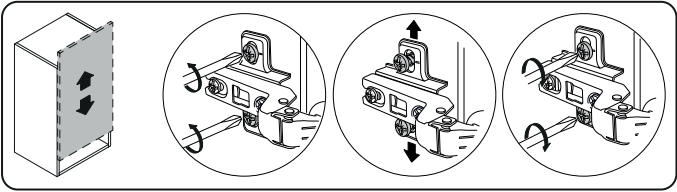
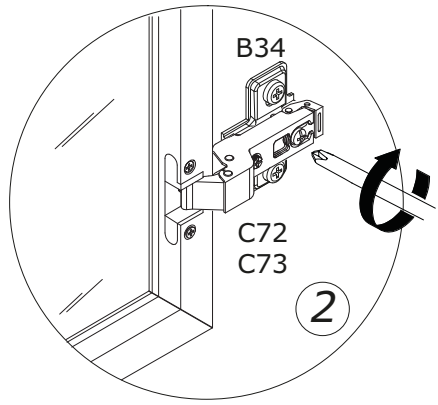
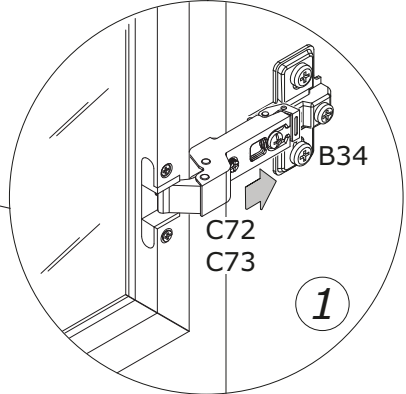
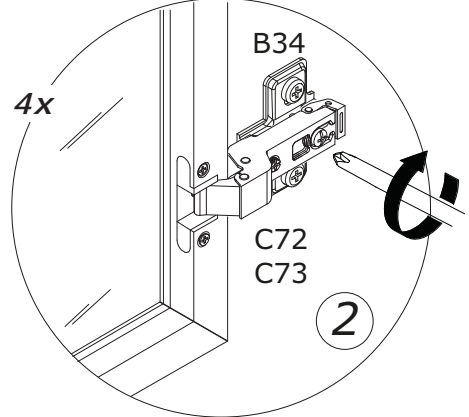
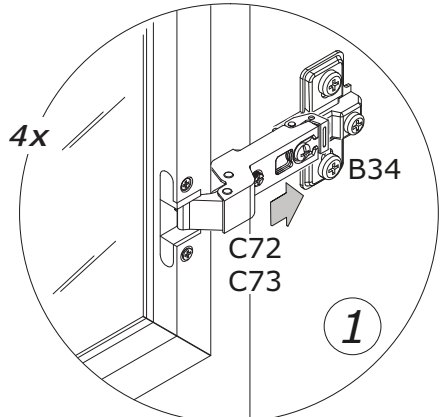
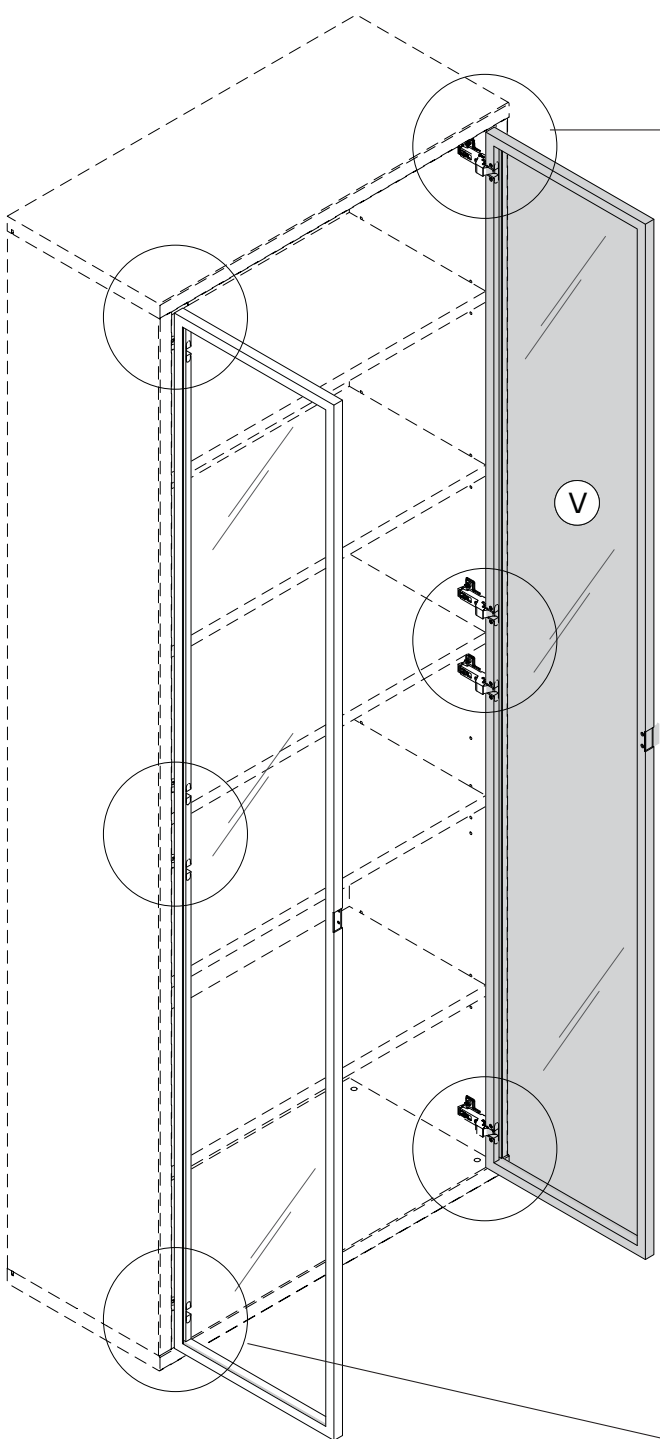


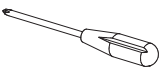


7



B





B

